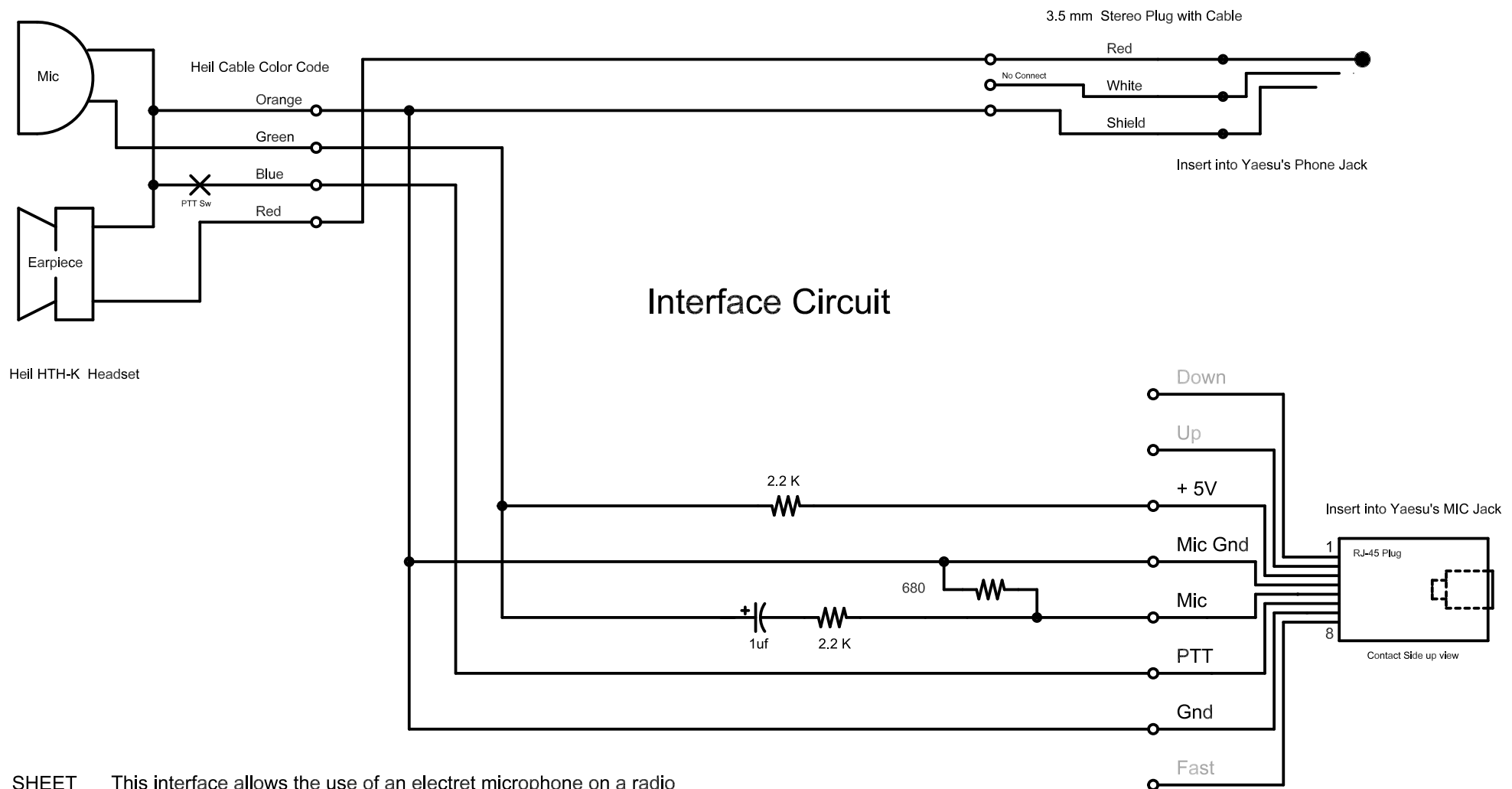


# Heil HTH-K headset to Yaesu FT-817/857/897 Interface



Heil HTH-K Headset

**SHEET NOTES** This interface allows the use of an electret microphone on a radio expecting to see a dynamic mic. This basic interface design should work with most electret mic's, not just this particular Heil headset.

The 680 ohm resistor matches the input impedance of the Yaesu radio. Be sure to observe the polarity of the tantalum capacitor.

I cut the connectors off the headset and 3.5 mm audio cable and these were the color codes I found. Your mileage may vary.

See the Circuit Notes for more information.

Heil HTH-K Headset to Yaesu FT-897 Interface		04-10-20
<b>GARRET WIKOFF</b> 9494 PENDERGAST RD. PHOENIX NY 13135-9501 315-695-4271 wikoffg@windstream.net	NX2GW	
		<b>Rev-</b>
	Heil2yaesu .tcw	